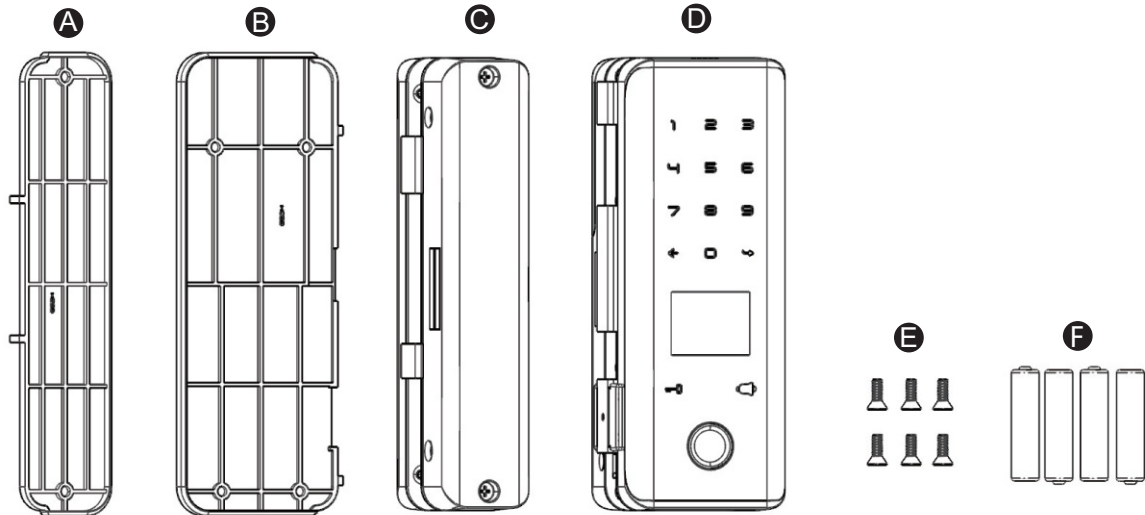


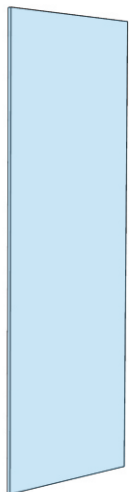
1 Accessories



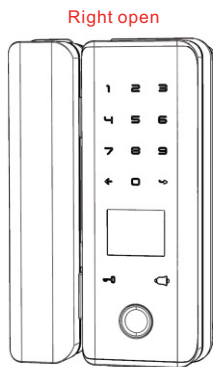
2 Before installation

Door type: glass door

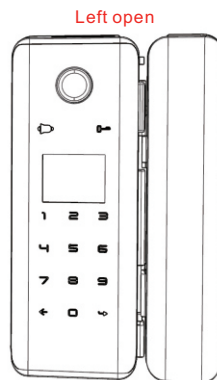
Right open to Left open



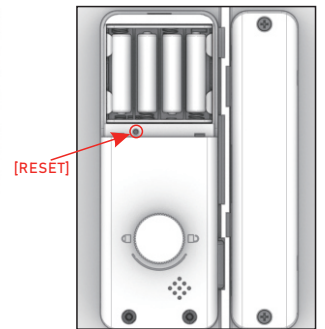
Door thickness:
8-12mm



Right open



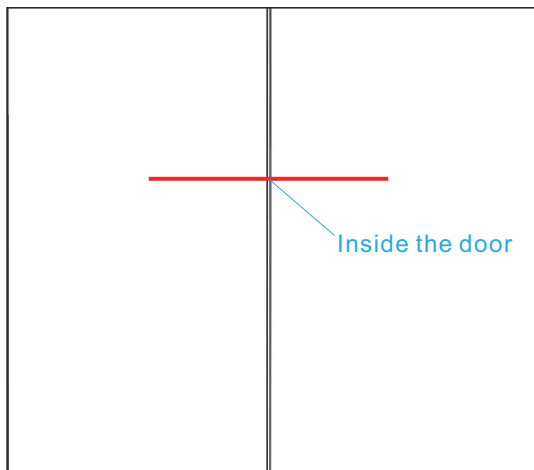
Left open



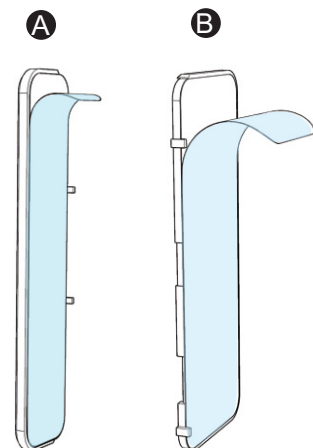
Turn the lock upside down and quickly press reset button 3 times.

3 Install smart lock

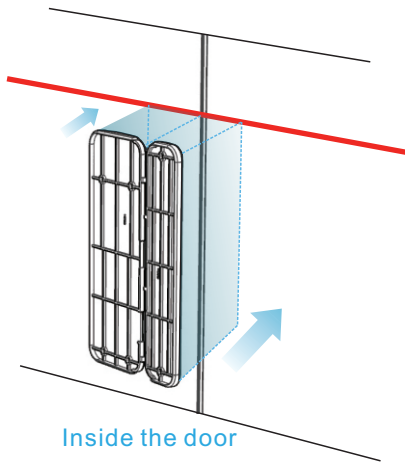
① Draw a horizontal marking line at the appropriate position on the glass door.



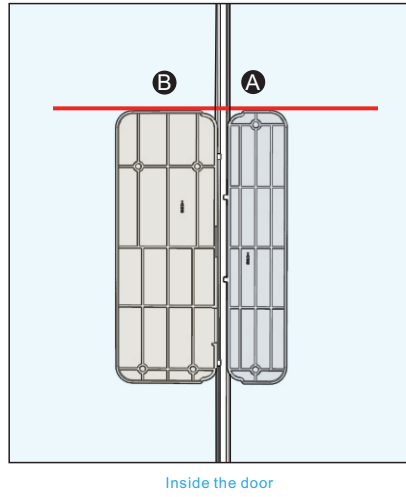
② Tear off the paper behind "A&B"



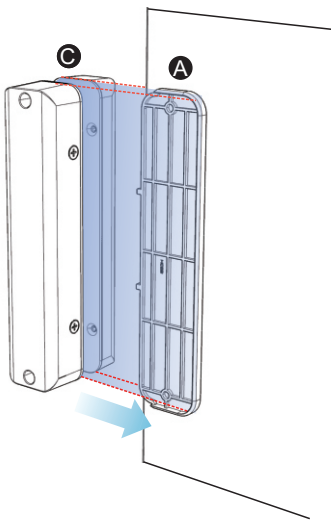
③ Paste "A" and "B" on the glass door aligning with the marking line.



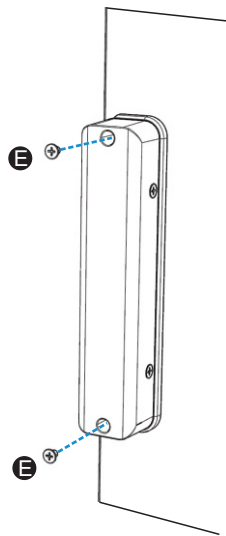
Done →



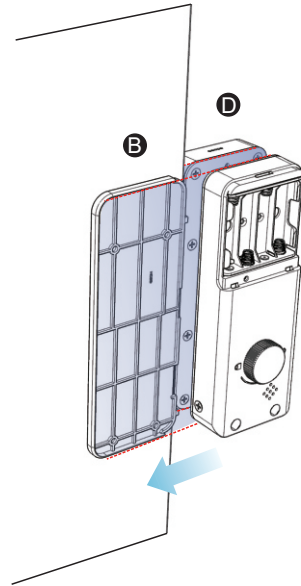
④ Wrap "A" with "C".



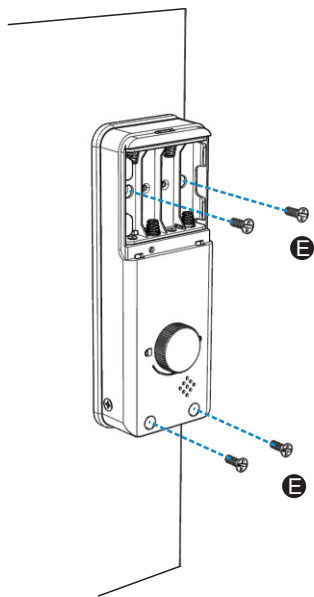
⑤ Screw in to secure.



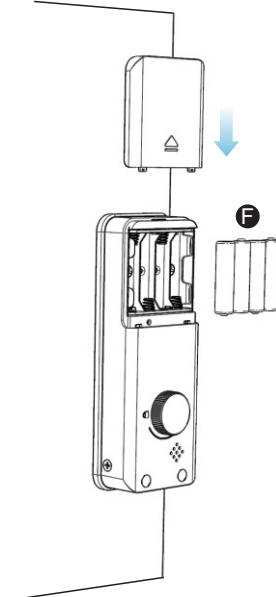
⑥ Wrap "B" with "D".



⑦ Screw in to secure.



⑧ Put batteries in and cover.



Done →

