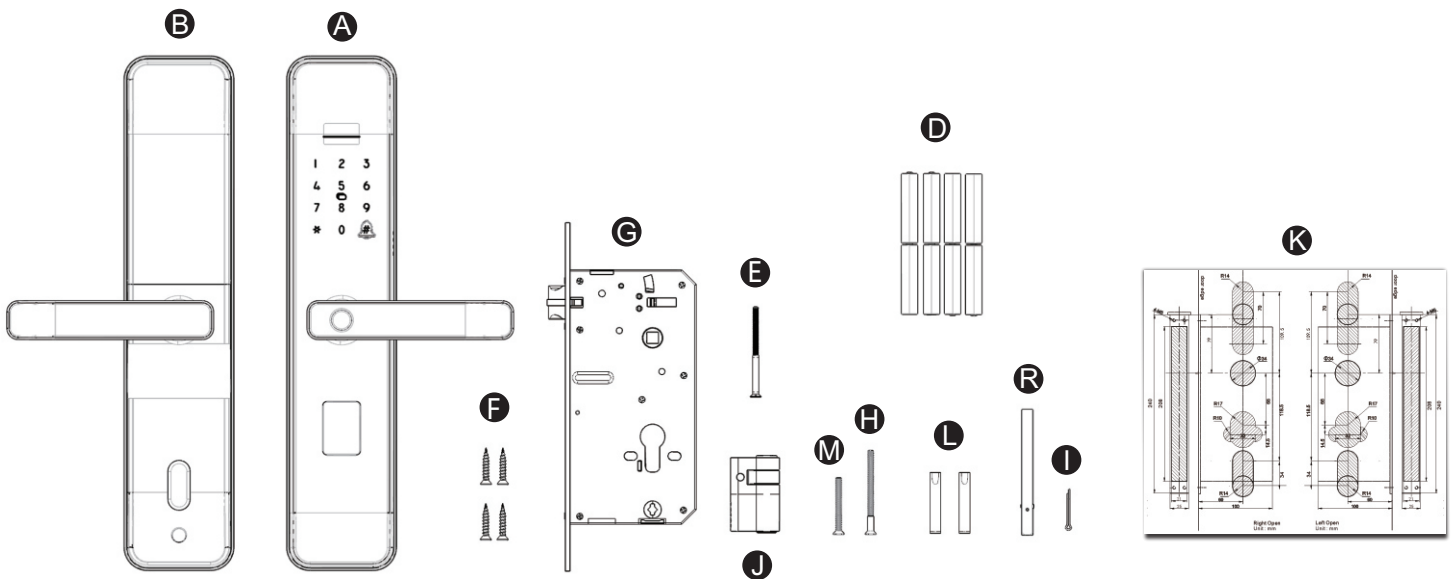
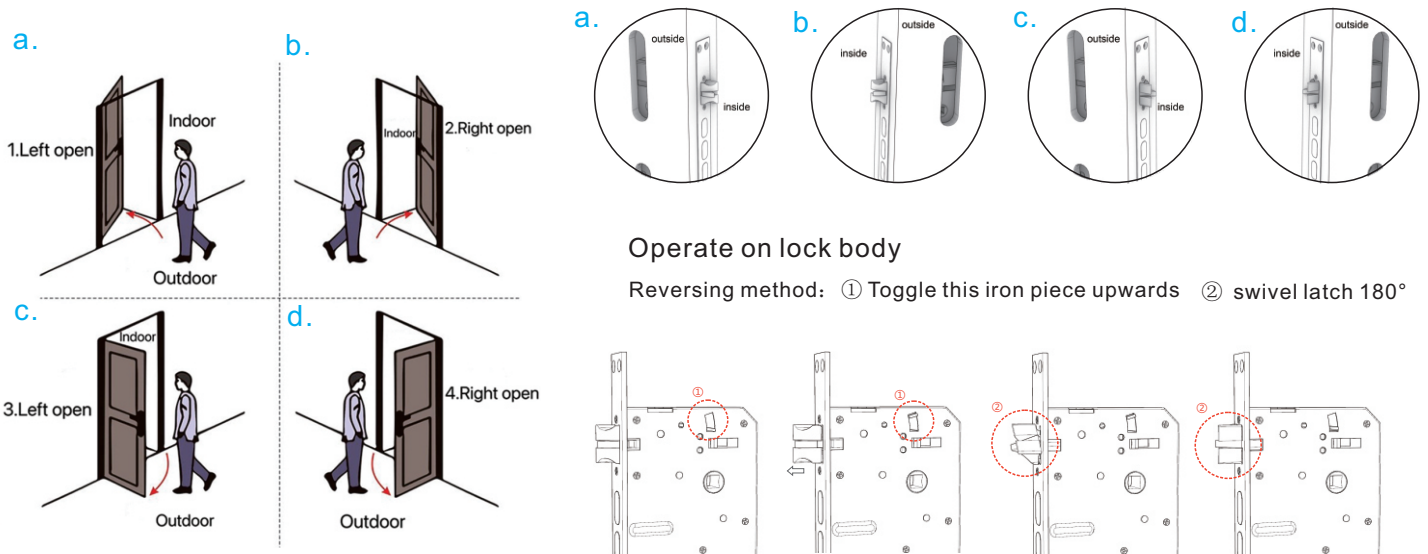


1 Accessories

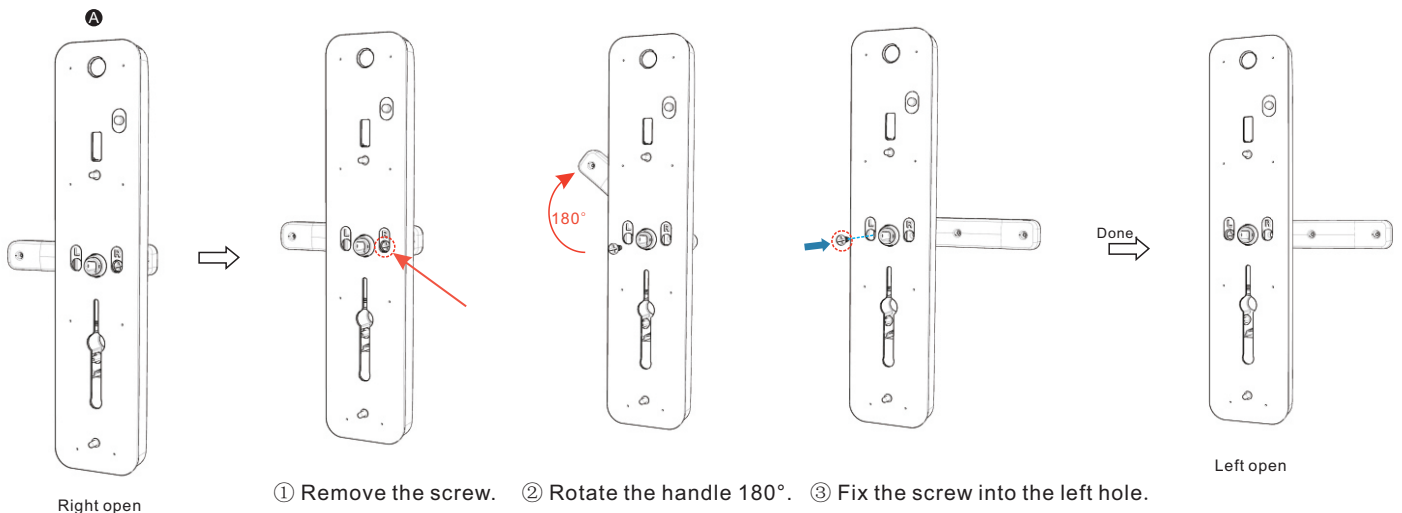


2 How to change open direction and operate on lock body



Right open to Left open

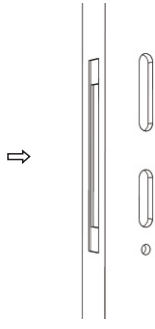
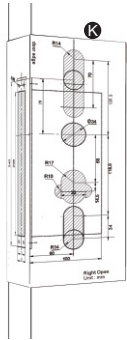
The same way to operate on the other panel.



3 How to make door hole and install lock body

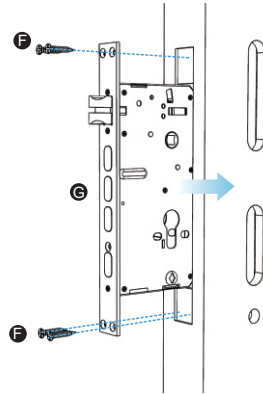
How to drill door hole

- Put "K" on the door to make sure hole size and position.
- Drill door hole.

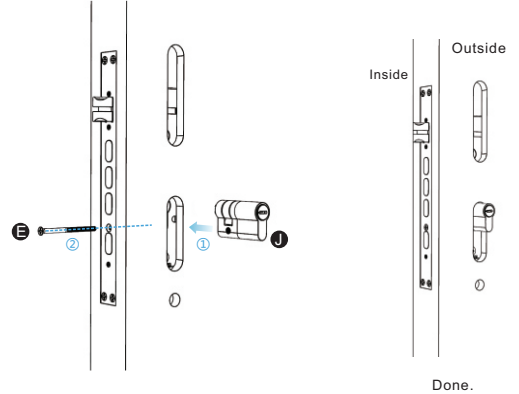


After drilling door hole.

Install lock body

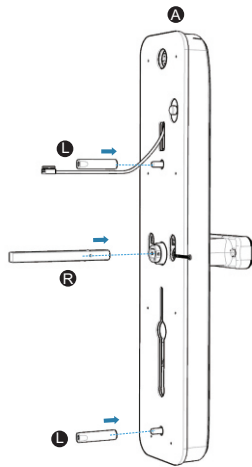


Install cylinder



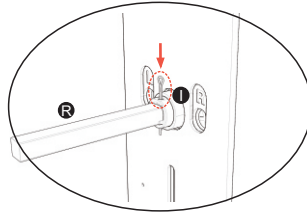
4 Install smart lock

Install lock pin and nut.

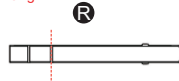


- Insert "R" into "A".
- Install "L".

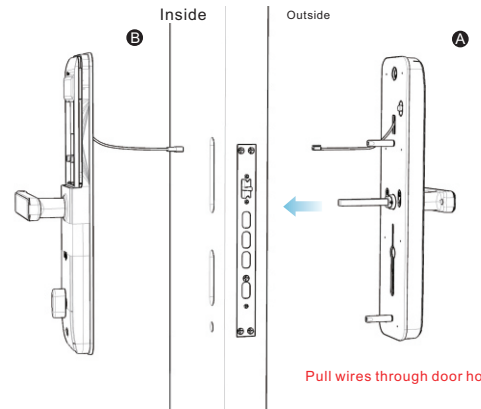
Put "I" through the hole, make sure "I" is perpendicular to the ground.



Locking pin can be truncated to the appropriate length if it is too long.

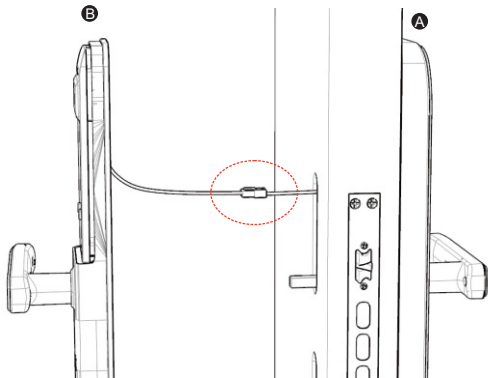


- Fix the front panel (or back panel) to the door at right position.



Connect wire terminals

Connect wires with the same type terminals.

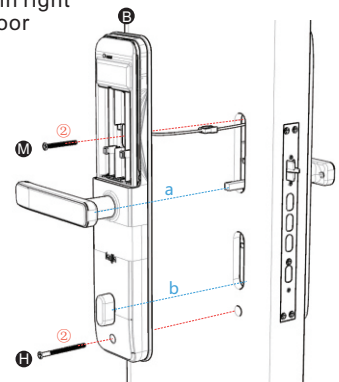


Fix the smart lock

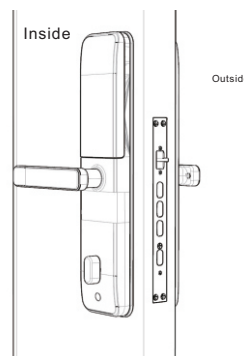
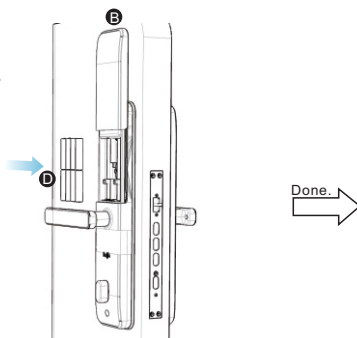
- After ensuring a, b are all in right positions, fix "B" on the door

Put wires in the door hole during installation.

- Fix "H&M" with "L".



- Put batteries in and cover.



reset

