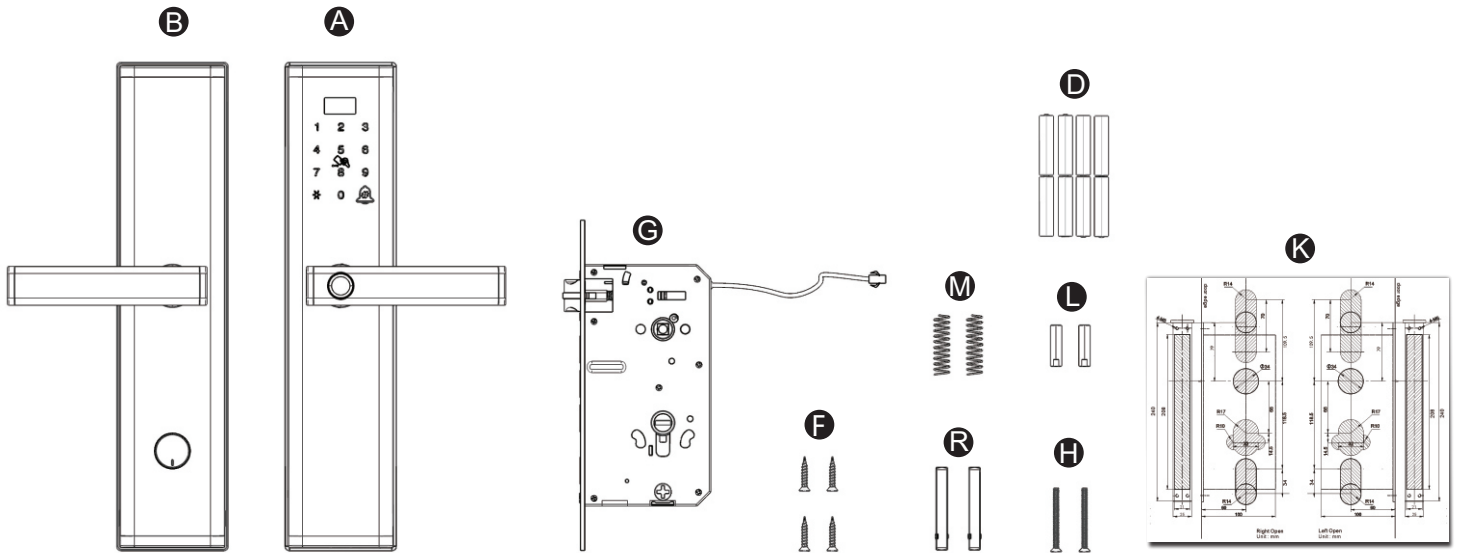
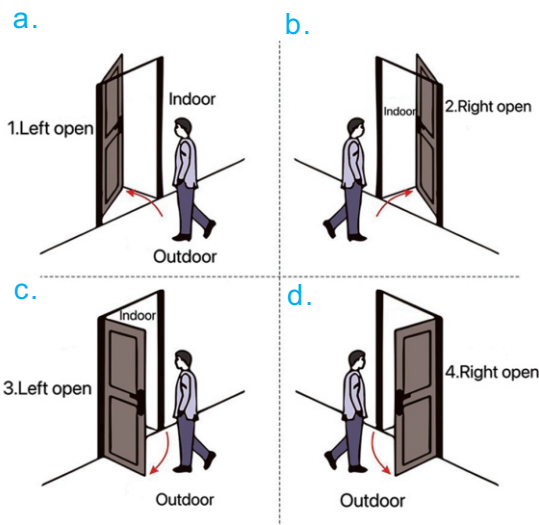


1 Accessories



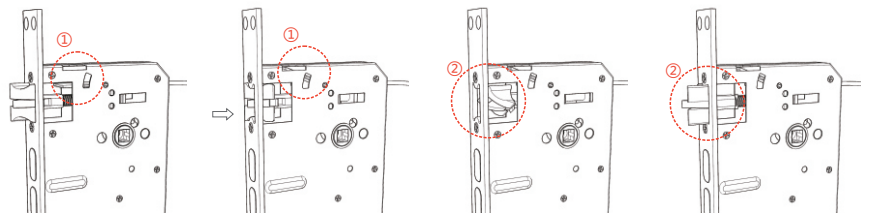
2 How to change open direction and operate on lock body



Operate on lock body (D3)

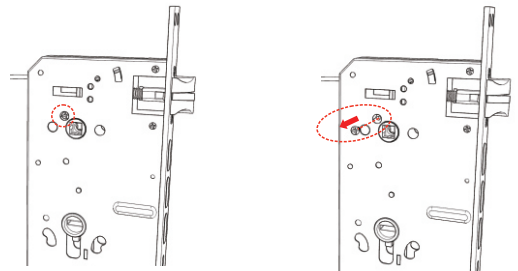
Change the direction of the locking tab:

- ① Toggle this iron piece upwards
- ② swivel latch 180°

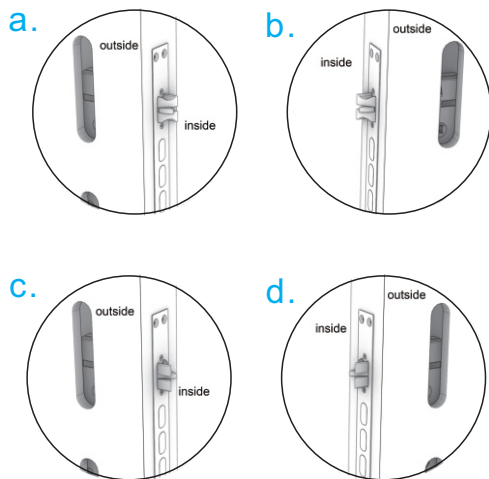
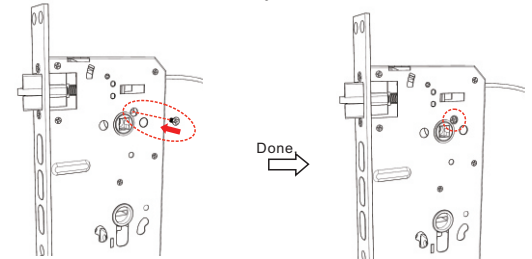


Lock body Right open to Left open

- ① Remove the screw.

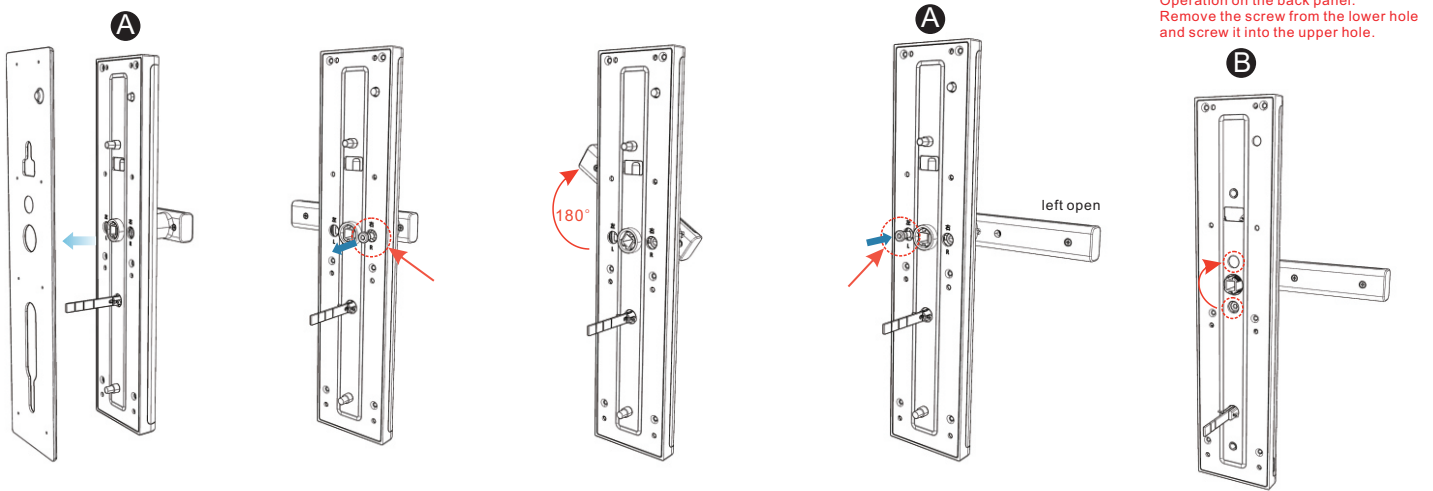


- ② Fix the screw into the other side of the lock body.



Right open to Left open

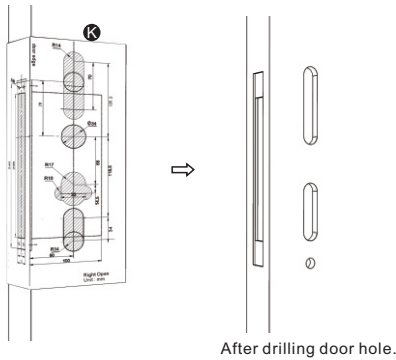
- 1 Remove the antiskid pad.
- 2 Remove the screw.
- 3 Rotate the handle 180°.
- 4 Fix the screw into the left hole.



3 How to make door hole and install lock body

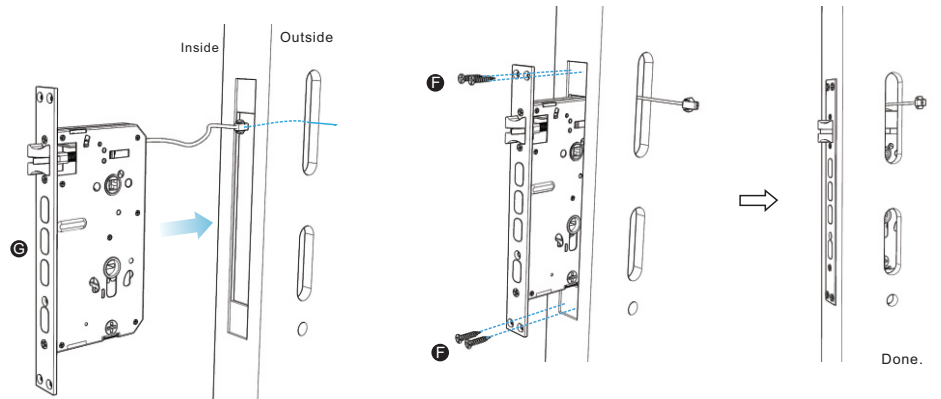
How to drill door hole

- 1 Put "K" on the door to make sure hole size and position.
- 2 Drill door hole.



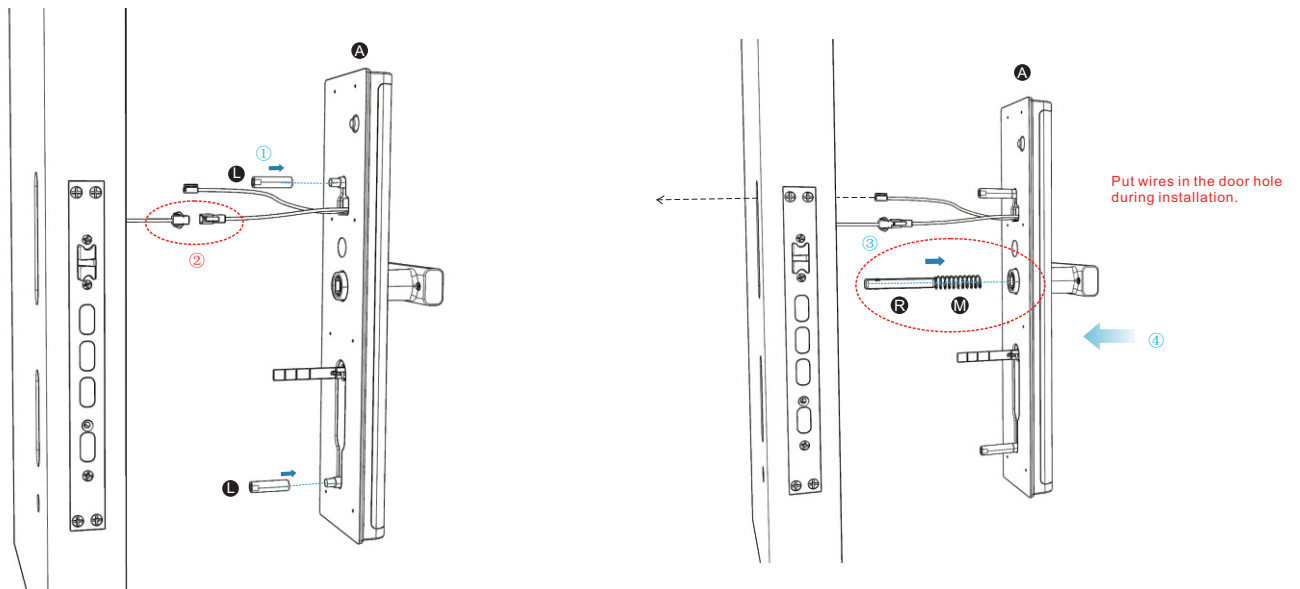
Install lock body

- 1 Insert lock body and put the wire outside the door through door hole.
- 2 Screws to secure the lock body.



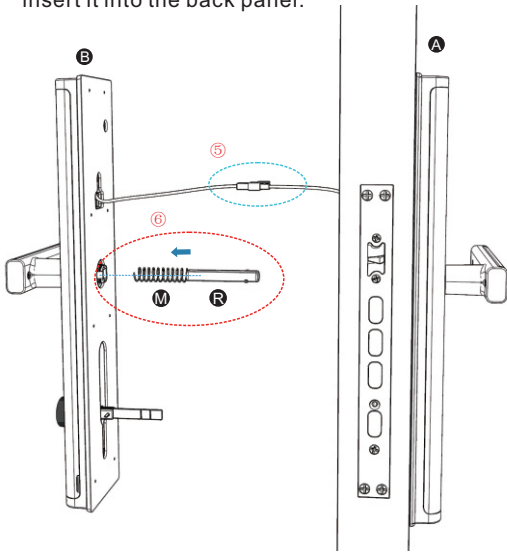
4 Install smart lock

- 1 Install "L".
- 2 Connect wire terminals of the lock body and the front panel.
- 3 Thread the lock pin through the spring before insert it into the front panel.
- 4 Fix the front panel to the door at right position.

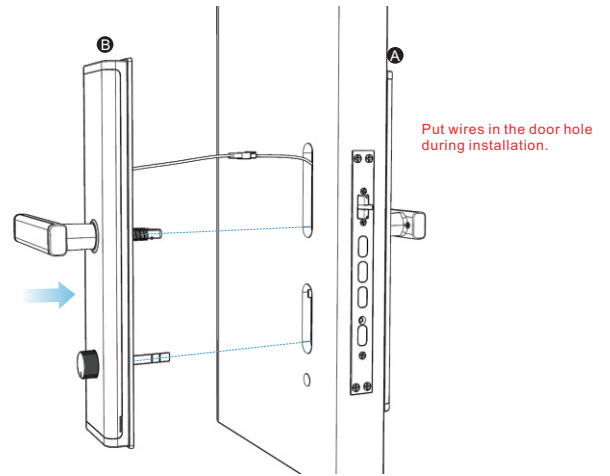


⑤ Connect wire terminals.

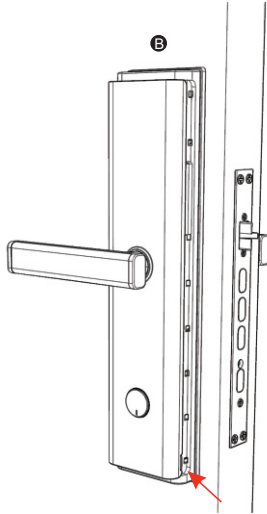
⑥ Thread the lock pin through the spring before insert it into the back panel.



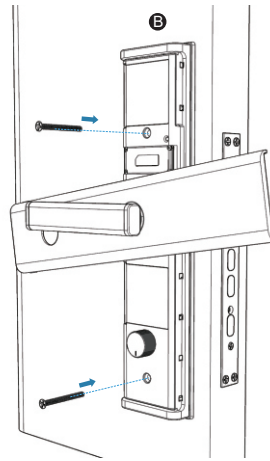
⑦ After ensuring a, b are all in right positions, fix "B" on the door.



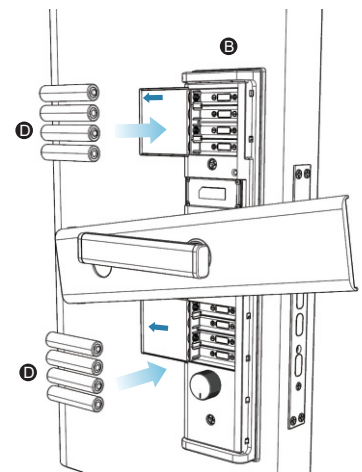
⑦ Remove the cover of back panel.



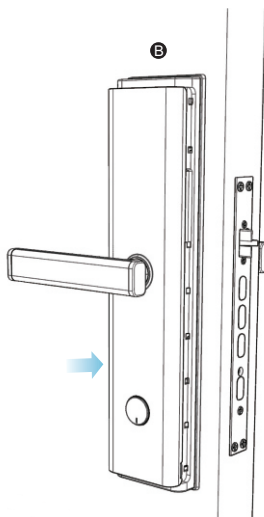
⑧ Screw the set screws.



⑨ Open the battery box and put batteries in.



⑩ Install the back cover.



Done.

