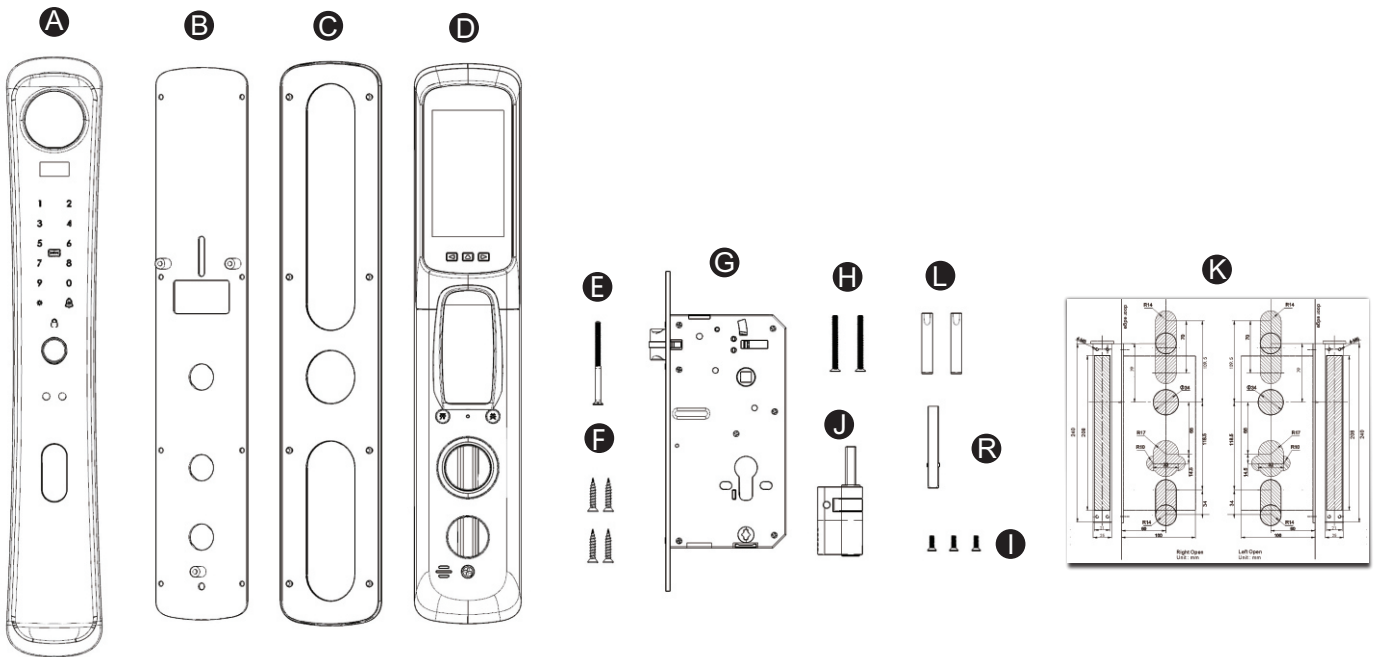
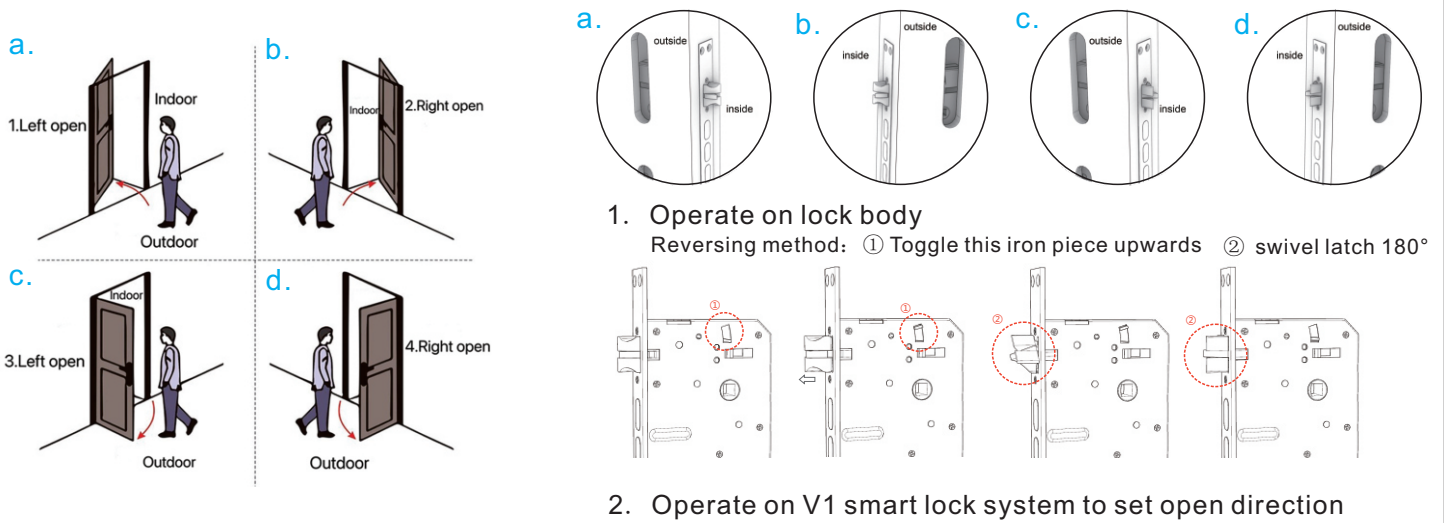


1 Accessories



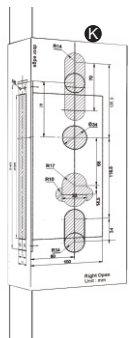
2 How to change open direction and operate on lock body



3 How to make door hole and install lock body

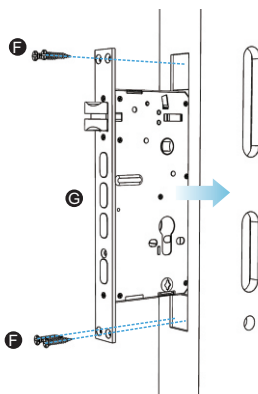
How to drill door hole

- Put "K" on the door to make sure hole size and position.
- Drill door hole.

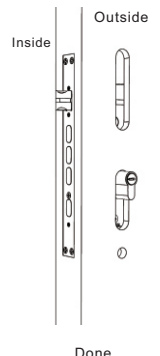
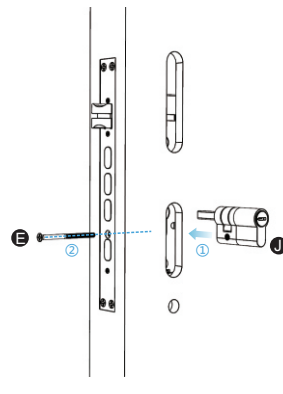


After drilling door hole.

Install lock body

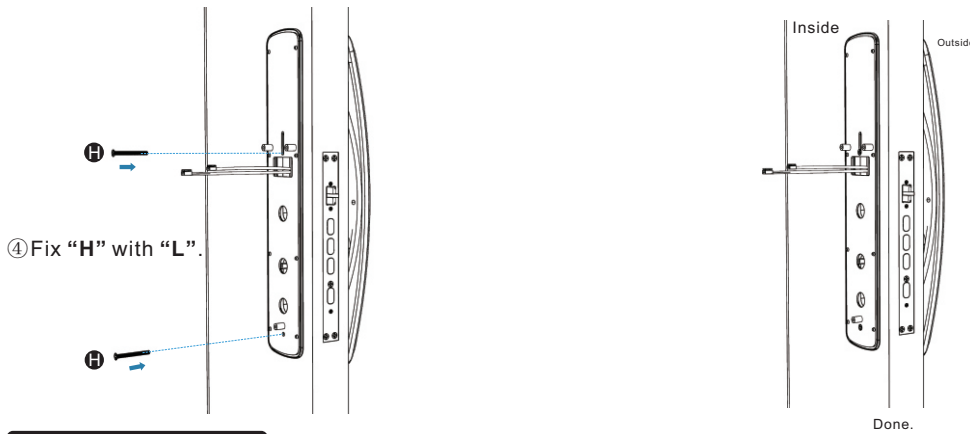
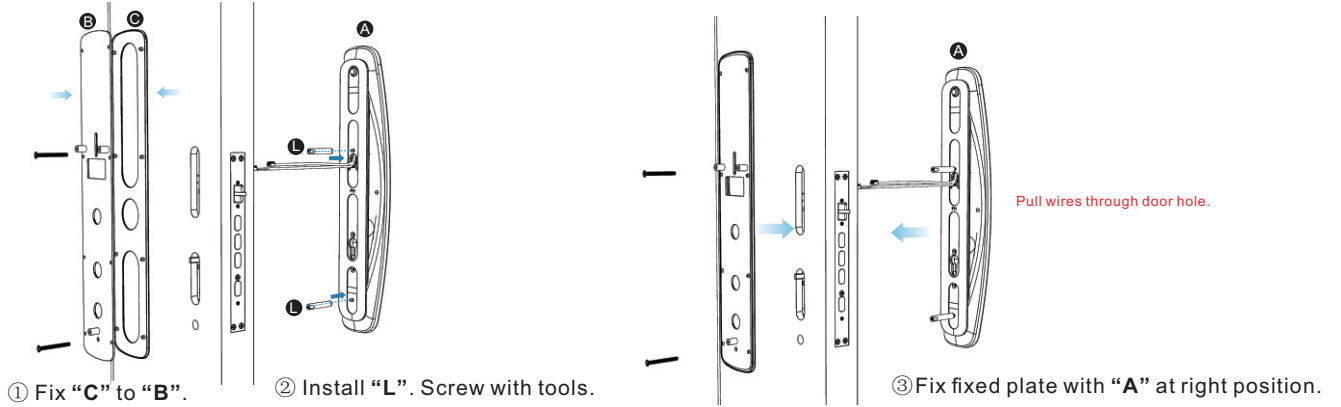


Install cylinder

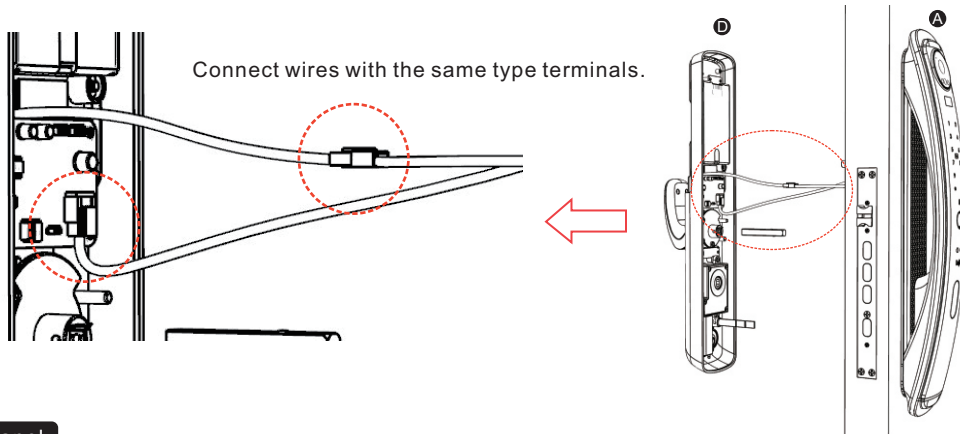


4 Install smart lock

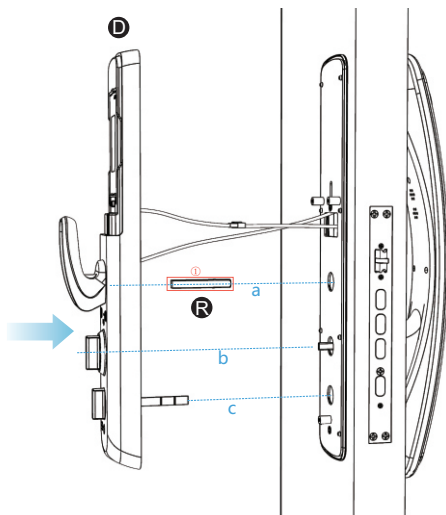
Install front panel and fixed plate



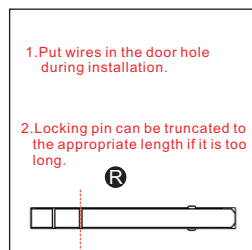
Connect wire terminals



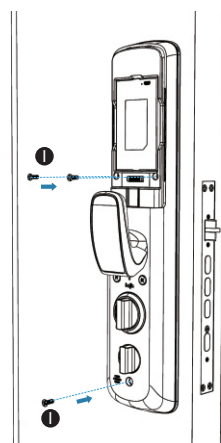
Install back panel



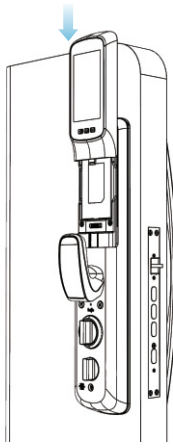
- ① Insert "R" into "D".
- ② After ensuring a, b, c are all in right positions, fix "D" on the fixed plate.



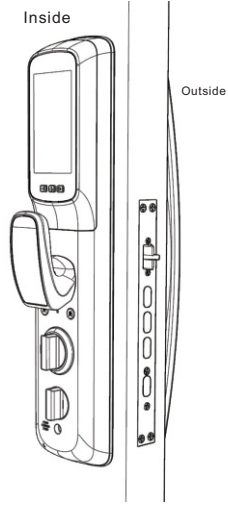
- ③ Fix "I" to fix the back panel.



④ Put batteries in and cover.



Done →



reset

