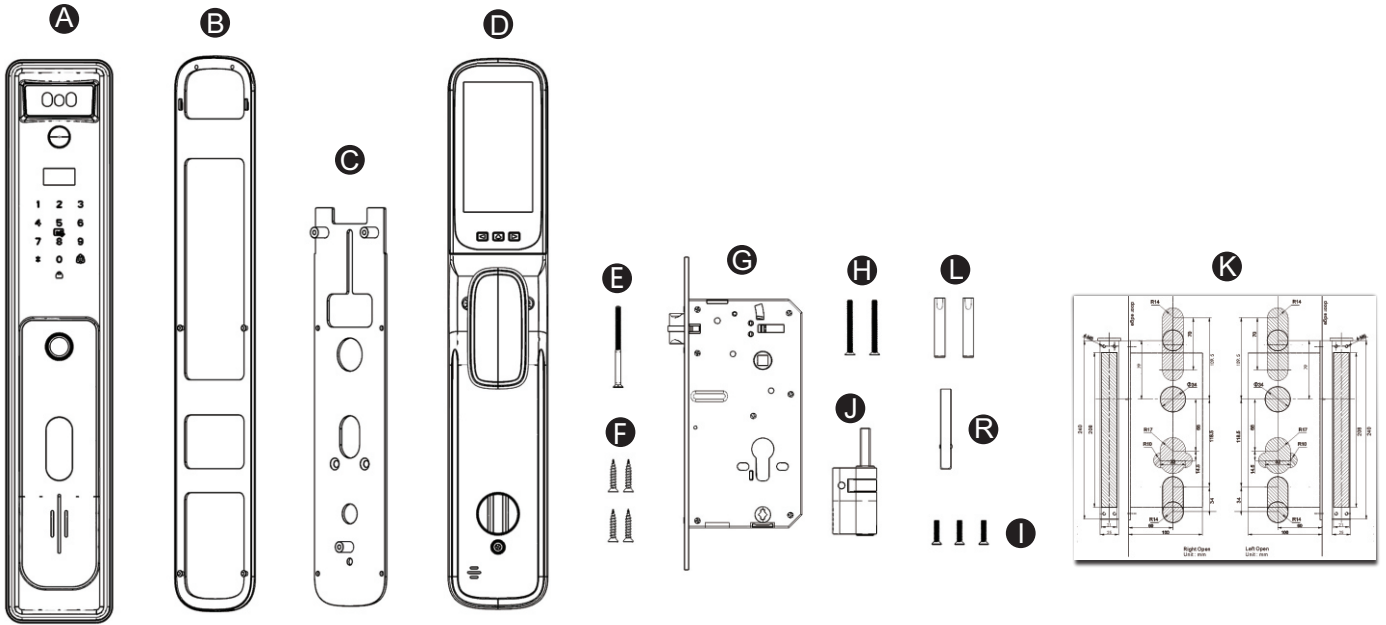
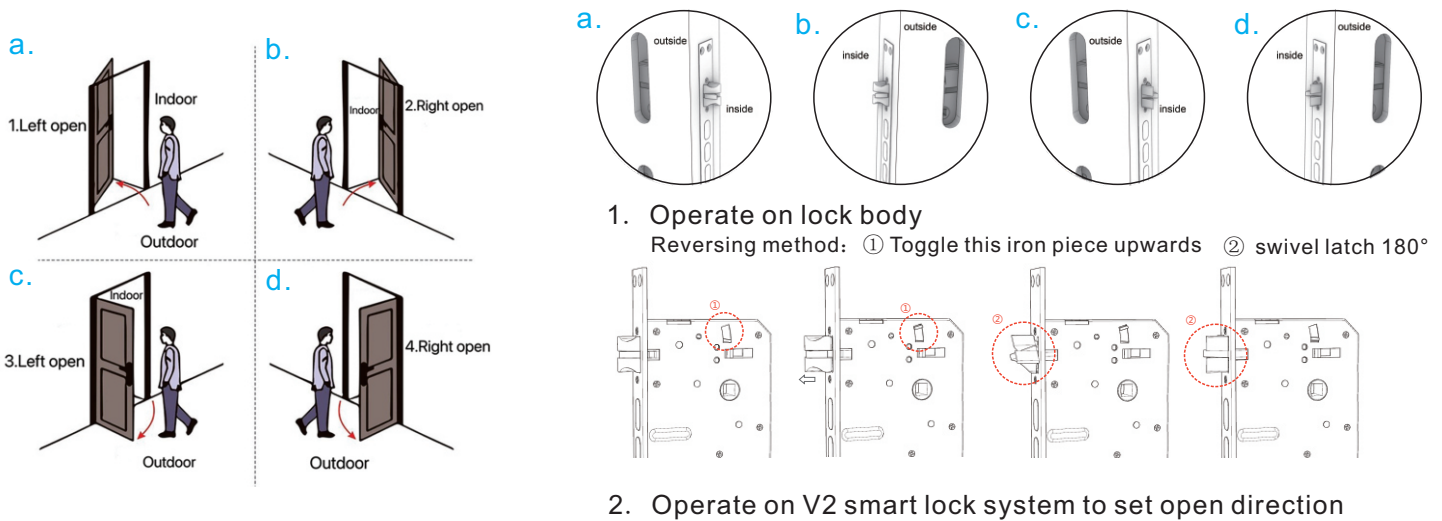


# 1 Accessories



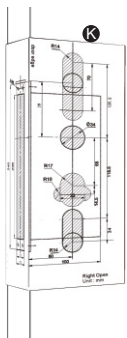
# 2 How to change open direction and operate on lock body



# 3 How to make door hole and install lock body

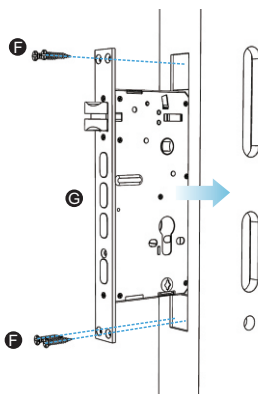
## How to drill door hole

- Put "K" on the door to make sure hole size and position.
- Drill door hole.

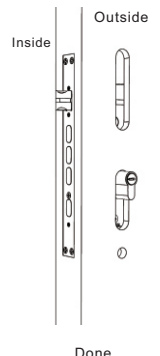
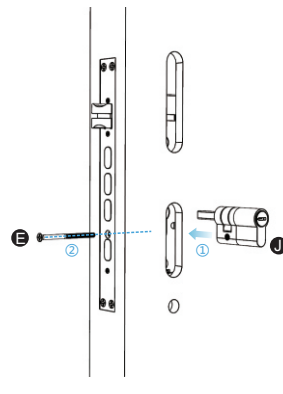


After drilling door hole.

## Install lock body

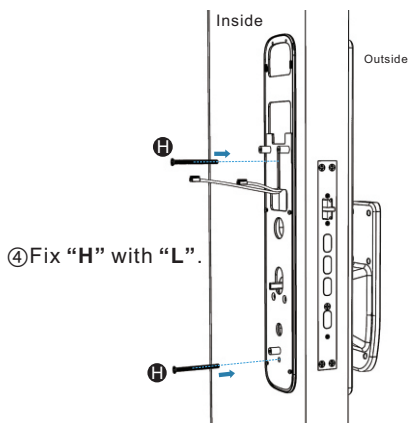
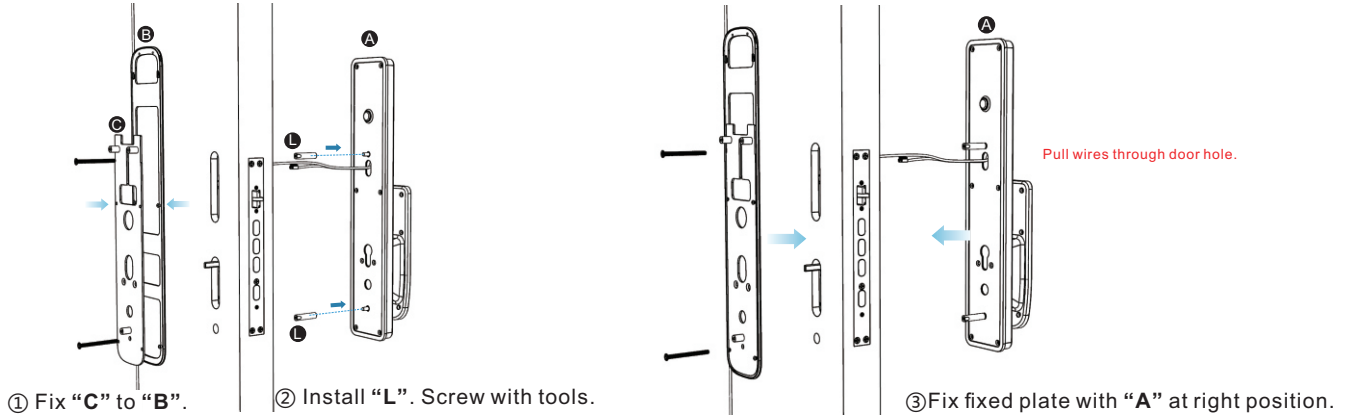


## Install cylinder

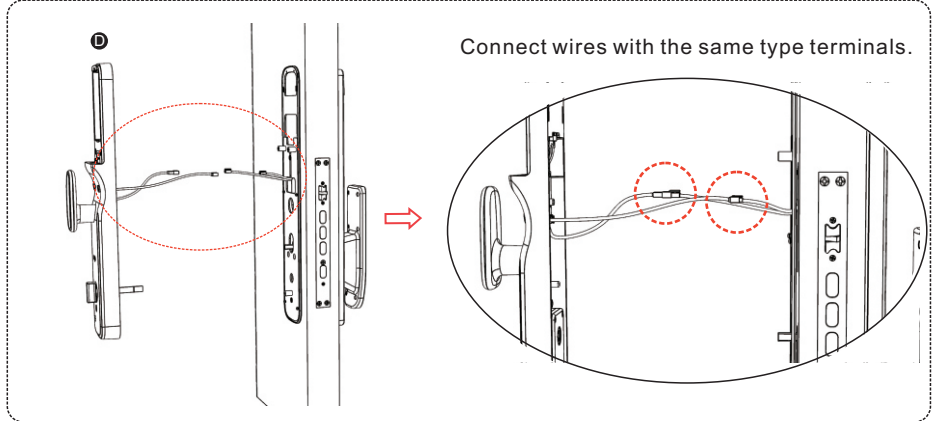


# 4 Install smart lock

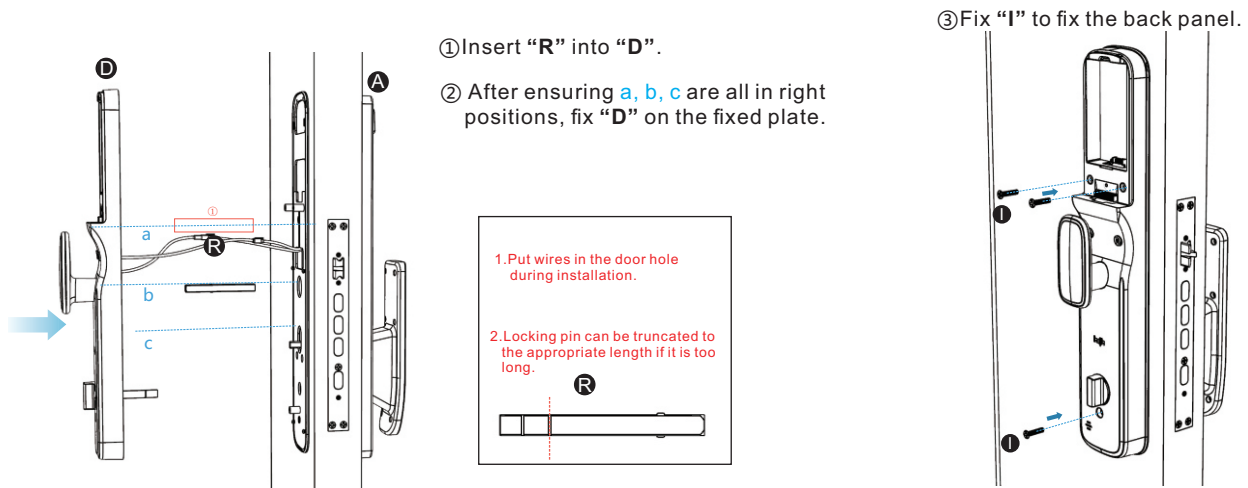
## Install front panel and fixed plate



## Connect wire terminals



## Install back panel



## ④ Put batteries in and cover.

