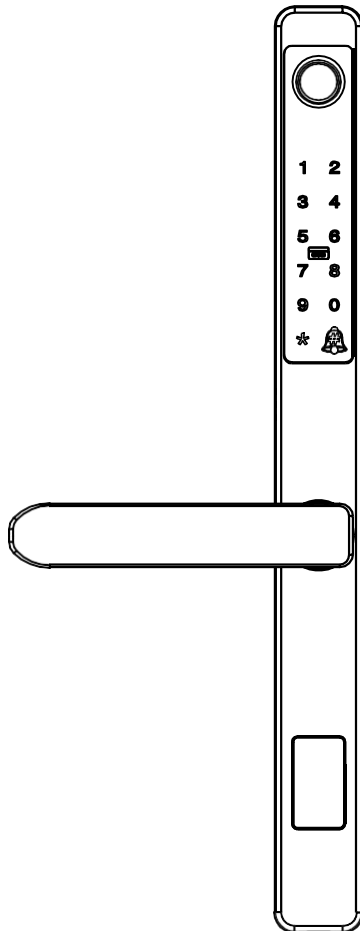
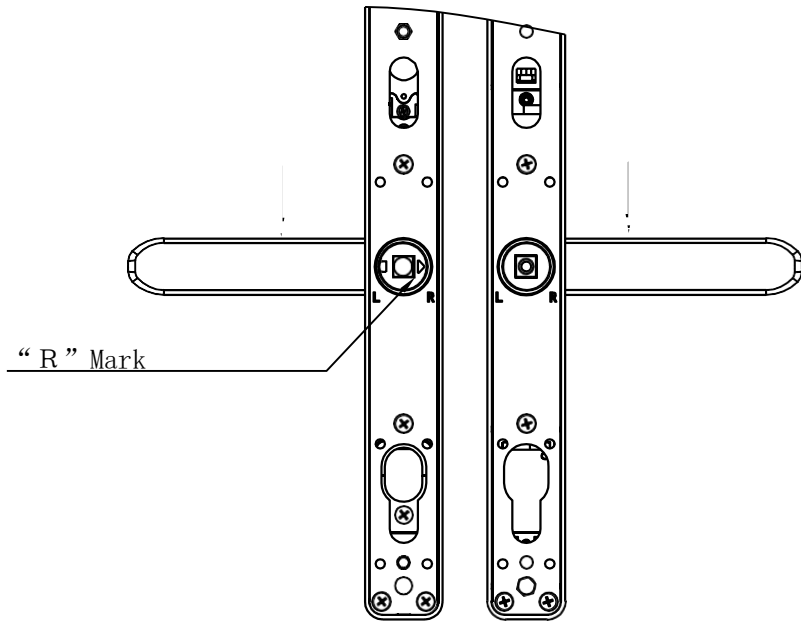


X Series Instruction

1. Installation

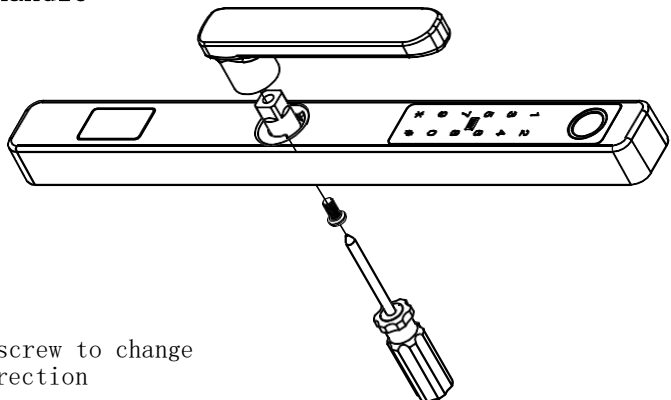


Right Open:



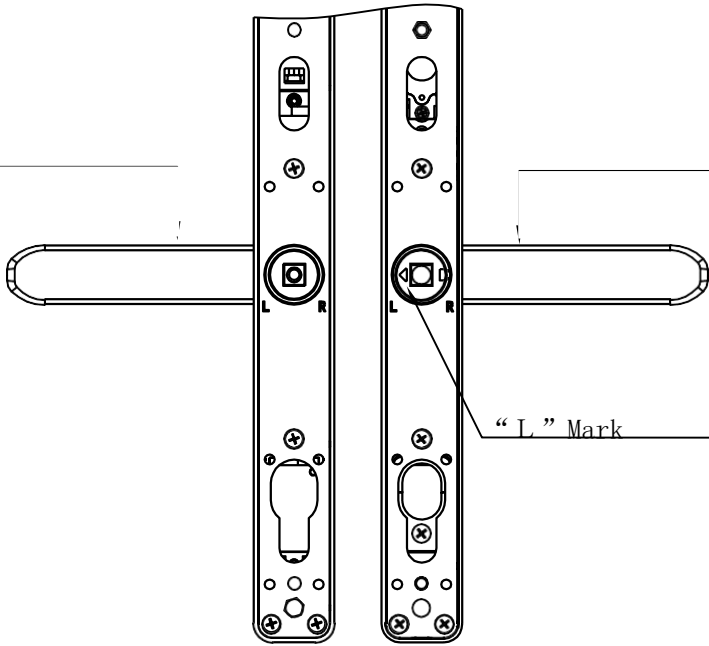
Front Plate Backside Plate

Front Plate Handle



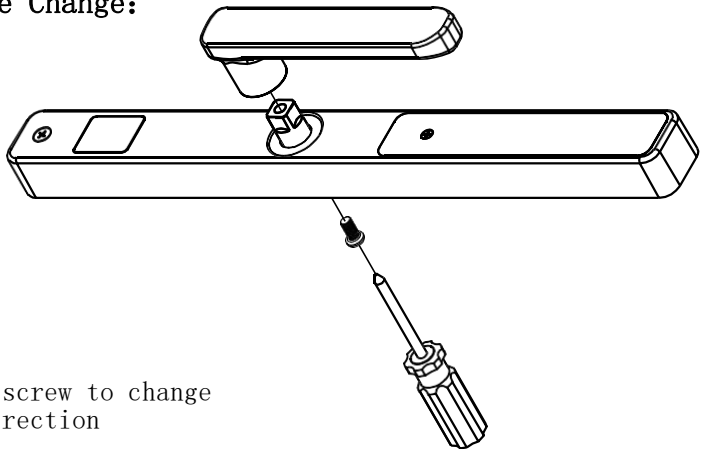
Take off the screw to change
the handle direction

Left Open:



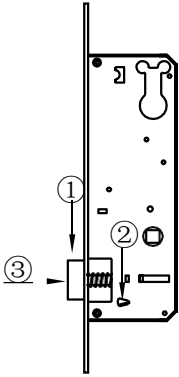
Backside plate Front Plate

Backside Handle Change:

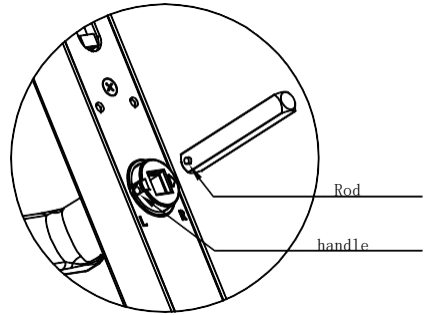


Take off the screw to change the handle direction

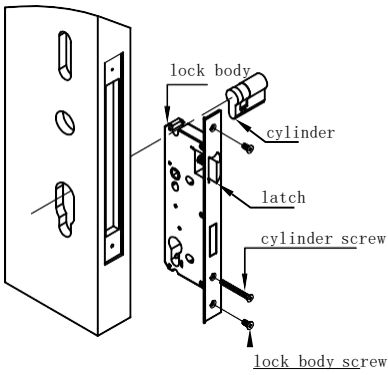
Lock Body Direction Change



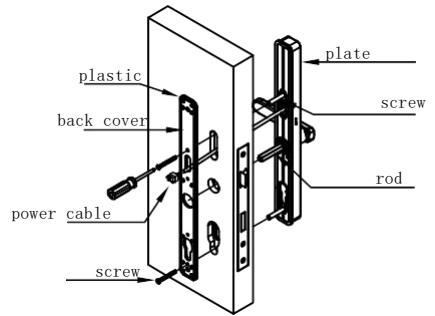
Install Front Plate Rod



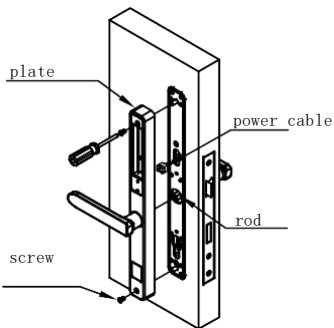
Intall Lock Body



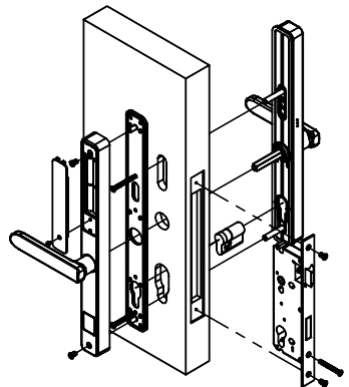
Intsall Front Plate



Install Backside Plate



Installation



Item code	X2
Material	Zinc alloy
5 in 1 unlocking:	fingerprint+password+tuya app+card+key
Card:	Up to 100 cards can be used
Size:	33*350*21,weight is 3 kg/set
Password length:	6-10 digit
Working Voltage:	4 AAA/1.5V batteries(Normally 9 months)
Flase Rejection Rate:	≤0.15%
False recognition rate:	≤0.00004%
Alarm:	Low battery alarm,Anti prying alarm
Available door:	45mm-50mm, over 50mm need to be negotiated
Lock body:	85 *35mm
Function:	Waterproof,Double lock,Tamper Alarm
EPS:	USB charge
working temperature:	-25℃~60℃
Finishing:	Black, Brown
Menu	Press"*"and "#",enter the menu
Function:	After entering the menu, "1" Add user, "2" Delete user function, "3" System settings
"3" system settings	Press"3",1 Time setting, 2 Volume adjustment, 3 Verify unlock mode, 4 Language setting 5.Normally open mode
Reset	Remove the battery cover, and keep pressing the reset button till you hear Initializing, successful initialization.

User's manual

1. Initial State

A. Any fingerprint, password, card can open the door freely;

B. Press the initialization button on the backside setting board for 5 seconds to restore the lock .

2. Enter The Menu

A. Initial state

Wake up the touch screen, press "*"#" into the setting menu;

B. Non-initial state

Wake up the touch screen, press "*"#", according to the voice enter the management informations, into the setting menu.

Note: Press " * " to return back the previous level; press "#" to exit and confirm

3. Administrator Settings

3.1 Enter the administrator

Press *# to enter the setting menu, and perform related operations in the order of voice

1: Voice : "1" create a user, "2" delete a user, "3" system settings

--press "1 "

2:Voice : "setting successful, user 00, please enter the key (fingerprint/password/card)"

--Enter the administrator's fingerprint/password/card

Note: The administrator only has one No. 00 (you can set up fingerprints/passwords/cards under 00).

3.2 Delete administrator

Take off the battery cover, and keep pressing the reset button till you hear Initializing, successful initialization.

4. Ordinary User Settings

4.1 Enter ordinary users

Press "*#" to enter the setting menu, setting according to the voice :

A: Voice : "1" create a user, "2" delete a user, "3" system settings

--Press "1"

B. Voice : "setting is successful, user 0X, please enter the key
(fingerprint/password/card)"

--Enter the user's fingerprint/password/card"

Note: All are users after No. 01.

4.2 Delete ordinary users

Press *# to enter the setting menu, setting according to the voice :

A: Voice: "1" create a user, "2" delete a user, "3" system settings

--Press "2"

B: Voice : " Please enter the user number"

--Enter the user number to be deleted (such as 01)

C: Voice : "setting successful"

5. System Settings

5.1 Time setting (example: setting 20:08 pm August 08, 2008)

Press “*#” to enter the setting menu, setting according to the voice:

A: Voice : "1" create a user, "2" delete a user, "3" system settings

--Press "3"

B: Voice : "1" time setting, "2" volume adjustment, "3" verification mode, 4 language selection, 5 installation settings

C: Voice : "Please enter both two digits in year, month and day"

--Enter 08 08 08 (the first two digits will coming to 20XX)

D: Voice : "Please enter two digits for both hour and minutes"

--Enter 20 08

Note: The time must be a 24-hour system

5.2 Volume adjustment

Press “*#” to enter the setting menu, setting according to the voice:

A: Voice : "1" create a user, "2" delete a user, "3" system settings"

--Press "3"

B: Voice: "1" time setting, "2" volume adjustment, "3" verification mode, "4" language selection, "5" installation settings

--Press "2"

C: Voice: "1" reduce the volume, "2" Increase the volume

--Choose according to needs

5.3 Unlock mode

verification mode

Press “*#” to enter the setting menu, setting according to the voice:

A: Voice : "1" create a user, "2" delete a user, "3" system settings"

--Press "3"

B: Voice : "1" time setting, "2" volume adjustment, "3" verification mode, "4" language selection, "5" installation settings"

--Press the "3"

C: Voice broadcast: "1" single verification unlocking, "2" double verification unlocking"

--Choose according to needs

5.4 Language selection

Press "*#" to enter the setting menu, setting according to the voice:

A: Voice : "1" create a user, "2" delete a user, "3" system settings"

--Press "3"

B: Voice broadcast: "1" time setting, "2" volume adjustment, "3" verification mode, "4" language selection, "5" installation settings"

--Press "4"

C: Voice : "1" Chinese, "2" English

--Choose according to needs

6. Anti-pry setting

Press "4#" enter the setting menu, voice "please enter the administrator's authorization"

voice : "1" open the anti-pry, "2" close the anti-pry.

--Choose according to needs

7. Networking instructions

A. "1#" into the network, "2#" delete the network, "3#" or doorbell into request remote unlocking , "4#" into anti-pry setting

B. Tuya App

download a Tuya App, register an account first, and then login the account.

The steps of Tuya App & Smart lock:

Step 1: Add Device (picture 1)

Step 2: Find the Security&Video button .(picture 2)

Step 3: Click the Lock (Wi-Fi) (picture 2)

Step 4: connect the available Wi-Fi (picture 3)

Step 5: Click “Next” (picture 3)

Step 6: touch the lock screen to wake up the lock

Step 7: Ensure the Wi-Fi signal is good, click “Next”

Step 8: Connection once successful ,you can control the smart lock by App.

