

F810 Drilling and Installation Guide

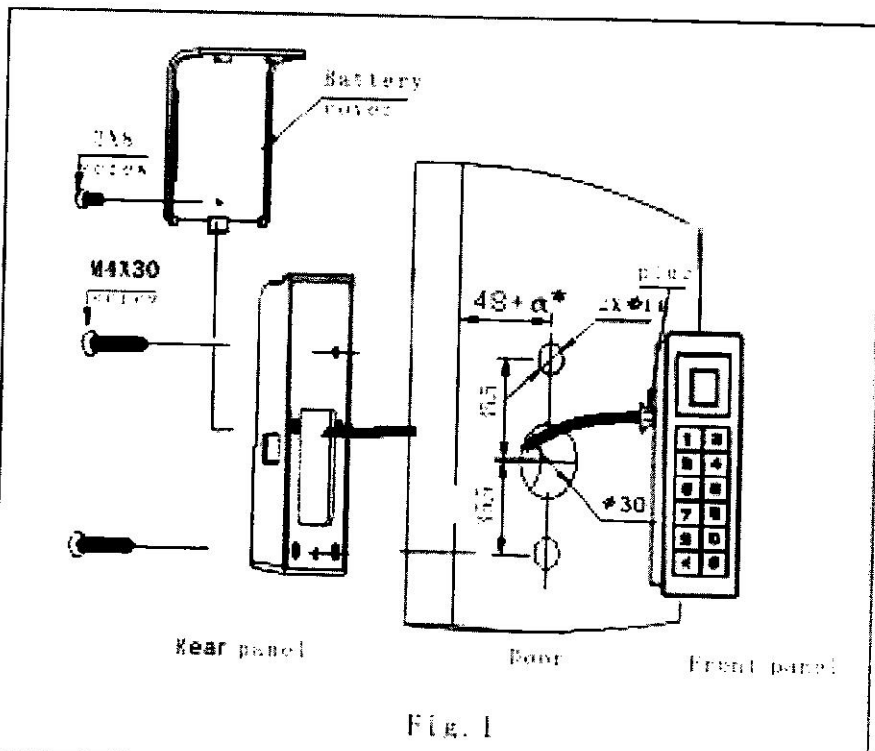


Fig. 1

Installation procedure

Fig. 1

1. Drill a hole of 30mm diameter and 2 holes of 14mm diameter in the door from the door edge of 48mm.
2. Put the plug through the door hole and insert into the socket of the front panel.
3. Fix the front panel and the rear panel on the door with 2 pcs M4X30 screws.
4. Load 3 pcs batteries and fix the battery cover with 1 pc 3X8 screw.

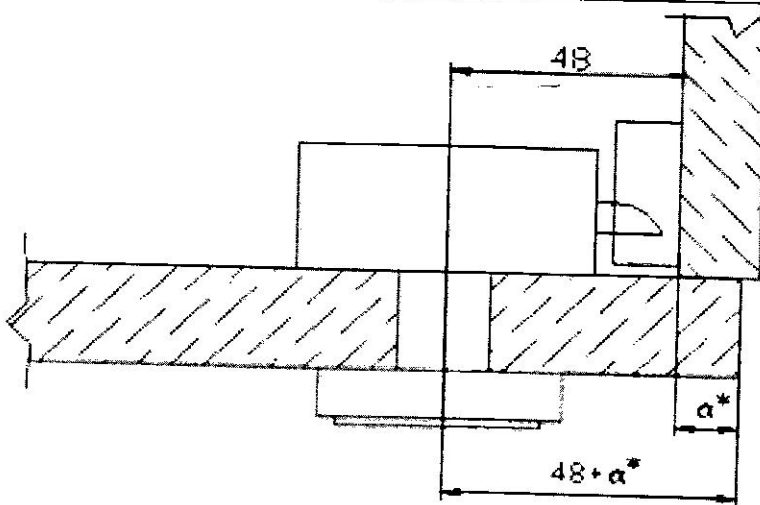


Fig. 2

Fig. 2

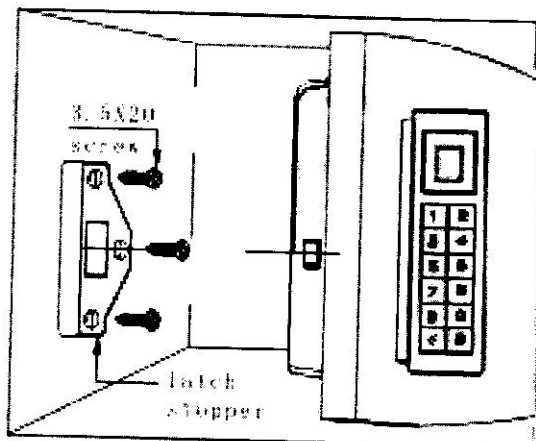


Fig. 2

Fig. 3

1. Fix the latch stopper on the door frame with 3 pcs 3.5X20 screws.

Drilling template (1:1)

